

UPVC CARTRIDGE FILTER HOUSINGS

Sn^owate

Hengshui Snowate Environmental
Technology Co., Ltd.

2022

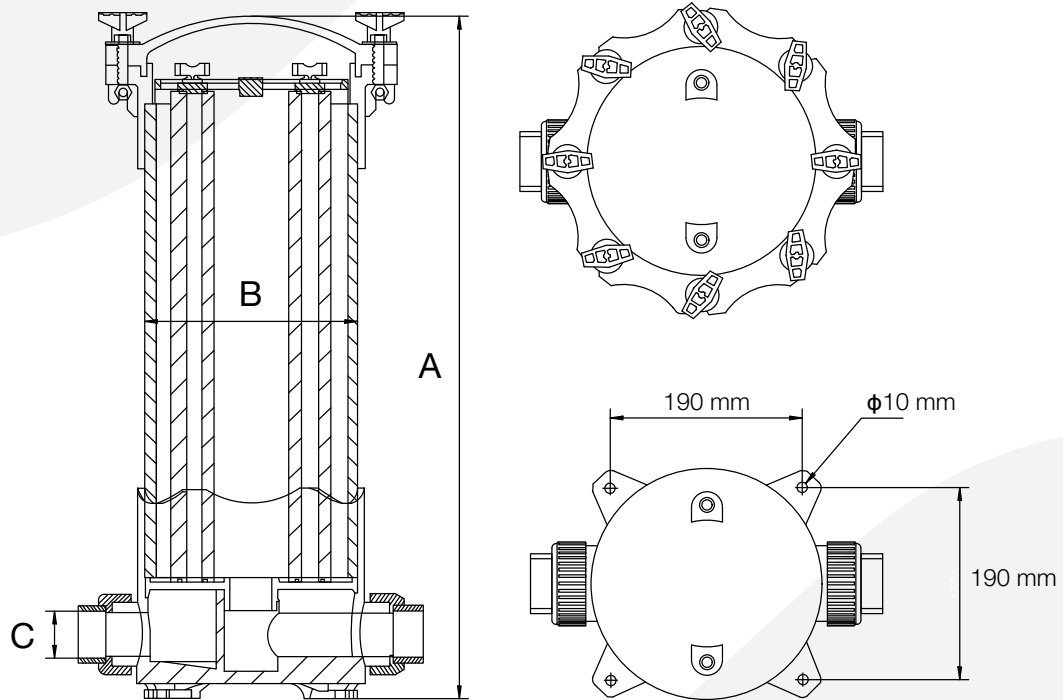
EDITION FOR
SNOWATE CATALOG



UPVC CARTRIDGE FILTER HOUSING

for 5 elements

- UPVC material has stronger corrosion resistance, Can be widely used in food, industry acid base salt solution, cooling tower circulating filtration and ultrafiltration membrane which stainless steel can not be replaced.
- The water will be evenly distributed from bottom to top, small strike to cartridges, exhaust valve on the top of the filter in order to discharge the air from the filter.
- The highest working temperature is 45°C, The size of the two holes in the lid of the filter is G1/4", If the thread of the pressure gauge is metric standard, an adaptor should be added.
- Unlike the triditional assembling, The filter has PP cotton filter positioning so that the cartridge no need to be adjusted afterlid.



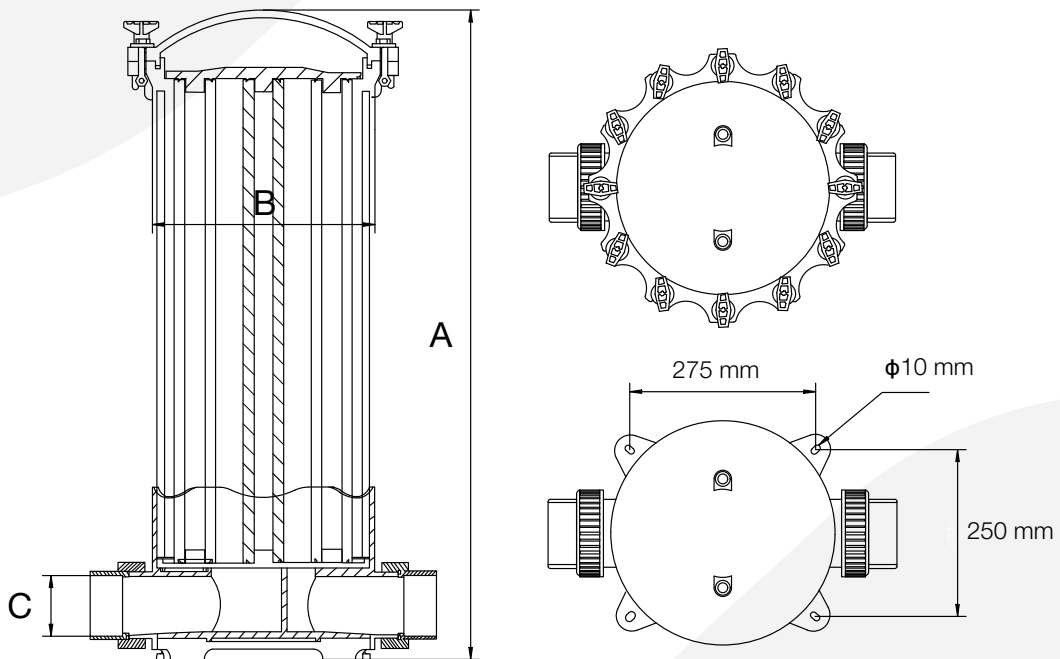
▼ UPVC cartridge filter housing for 5 elements

Model	DIMENSIONS (mm)			Filter dimensions	Maximum working pressure	Material
	A	B	C			
SWUPVC5-10	455	225	48.5 / 50	10"	0.6 MPA	UPVC
SWUPVC5-20	710	225	48.5 / 50	20"	0.6 MPA	UPVC
SWUPVC5-30	965	225	48.5 / 50	30"	0.6 MPA	UPVC
SWUPVC5-40	1220	225	48.5 / 50	40"	0.6 MPA	UPVC

UPVC CARTRIDGE FILTER HOUSING

for 9 elements

- UPVC material has stronger corrosion resistance, Can be widely used in food, industry acid base salt solution, cooling tower circulating filtration and ultrafiltration membrane which stainless steel can not be replaced.
- The water will be evenly distributed from bottom to top, small strike to cartridges, exhaust valve on the top of the filter in order to discharge the air from the filter.
- The highest working temperature is 45°C, The size of the two holes in the lid of the filter is G1/4", If the thread of the pressure gauge is metric standard, an adaptor should be added.
- Unlike the traditional assembling, The filter has PP cotton filter positioning so that the cartridge no need to be adjusted after lid.



▼ UPVC cartridge filter housing for 9 elements

Model	DIMENSIONS (mm)			Filter dimensions	Maximum working pressure	Material
	A	B	C			
SWUPVC9-10	505	315	88.9 / 90	10"	0.6 MPA	UPVC
SWUPVC9-20	760	315	88.9 / 90	20"	0.6 MPA	UPVC
SWUPVC9-30	1000	315	88.9 / 90	30"	0.6 MPA	UPVC
SWUPVC9-40	1270	315	88.9 / 90	40"	0.6 MPA	UPVC

Snowate



Ms Snow Zhao
snow@snowate.com
snow@membranehousing.org
Mobile: +86-15030811699
(WhatsApp, WeChat, Skype, Viber)